

**Haier**  
HVAC Solutions



**NEW**

# PEARL NORDIC

---

Low Ambient Heating Series

[Haierhvac.eu](http://Haierhvac.eu)

A++ / A++



# Discover the **NEW** **PEARL NORDIC** Air Conditioning Series

Offering heating even at extreme  $-30^{\circ}\text{C}$  low outdoor ambient temperatures, A++ energy efficiency, freeze prevention technology, and UVC Pro protection for ultimate comfort.

The new **PEARL NORDIC** Air Conditioning range offers Heating & Cooling and is available from 2.5kW - 5.0kW, with energy efficiencies of A++/ A++. Packed with some of our market leading features such as **integrated hOn Wi-Fi**, **Self-Clean function** and **56°C Steri-Clean** for a complete premium offering.

The **Self-Clean** function provides simple and effortless cleaning of the unit by freezing the evaporator with moisture in the air and removes dirt during the defrost process, ensuring clean and healthy air output.

The ambient atmosphere is further improved thanks to the **UVC Pro** module, that inhibits the reproduction of bacteria and sterilises viruses by generating ion clusters in the atmosphere.

The range also delivers heating even at extremely low **-30°C temperatures**, making the new **PEARL NORDIC** perfectly adapted to northern and mountain regions.



-30°C Heating



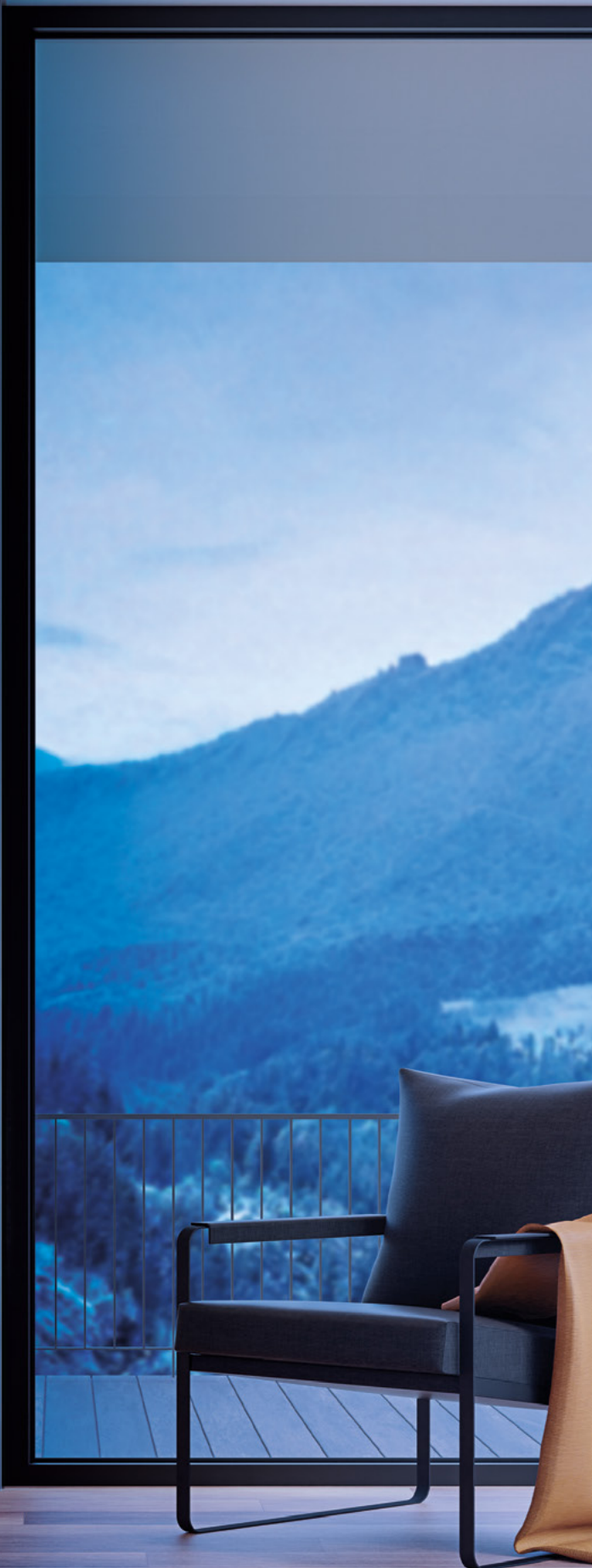
Freeze-Prevention  
Technology



Integrated hOn  
Wi-Fi



Compressor  
Preheating Technology



# PEARL NORDIC

## Residential Mono-Split Inverter

2,5 kW

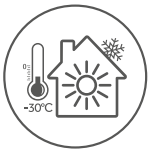
3,5 kW

5,0 kW

A++ / A++



### Features



-30°C Heating



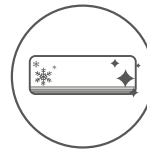
Freeze-Prevention Technology



Compressor Preheating Technology



UVC Pro



Self-Clean



56°C Steri Clean



Integrated control WiFi

### Technical Illustrations

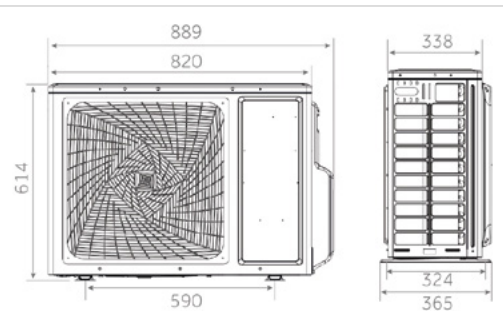
AS25 - AS35



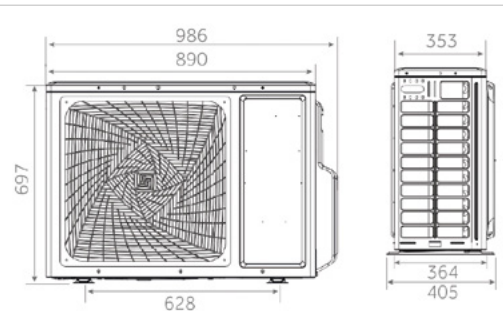
AS50



1U25 - 1U35



1U50



## Outdoor Unit



2,5 kW



3,5 kW



5,0 kW

## Controller



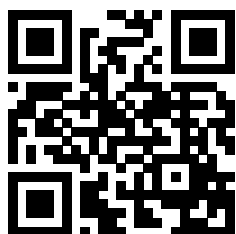
Standard YR-HE2

INDOOR UNIT			Model	AS25PCHHRA-NR	AS35PCHHRA-NR	AS50PDHHRA-NR
OUTDOOR UNIT			Model	1U25KEFFRA-NR	1U35KEFFRA-NR	1U50WEFFRA-NR
<b>Performance data</b>						
Output power - COOLING	nom (min-max)	kW		2,60 (0,80-3,90)	3,50 (1,00-4,50)	5,20 (1,40-7,00)
Output power - HEATING	nom (min-max)	kW		3,60 (0,80-6,40)	4,20 (1,00-7,40)	6,00 (1,50-8,30)
Absorbed power - COOLING	nom (min-max)	kW		0,60 (0,23-1,25)	0,86 (0,32-1,35)	1,39 (0,40-1,85)
Absorbed power - HEATING	nom (min-max)	kW		0,79 (0,30-2,20)	0,93 (0,30-2,40)	1,40 (0,50-3,00)
Energy class	EER	W/W		4,30	4,10	3,73
	COP	W/W		4,50	4,50	4,23
COOLING Pdesign	35 °C	kW		2,60	3,50	5,20
HEATING Pdesign	(-10 °C)	kW		3,60	4,20	6,00
Energy class	SEER			7,80 (A++)	7,70 (A++)	7,50 (A++)
	SCOP			4,60 (A++)	4,60 (A++)	4,60 (A++)
Annual Energy Consumption - COOLING		kWh/a		117	159	242
Annual Energy Consumption - HEATING		kWh/a		913	1187	1400
<b>Indoor Unit</b>						
Power supply		Ph/V/Hz		1/220-240/50	1/220-240/50	1/220-240/50
Treated air volume	H	m <sup>3</sup> /h		620/615	680/660	800/830
Dehumidification		L/h		1,0	1,2	2,3
High sound power - COOLING		dB		55	56	58
High sound power - HEATING		dB		55	56	58
Sound pressure - COOLING		dB(A)		38/33/26/18	40/34/29/19	42/39/36/30
Sound pressure - HEATING		dB(A)		38/33/26/18	40/34/29/19	42/39/36/30
Net dimensions	WxDxH	mm		875x217x307	875x217x307	975x220x318
Packaging dimensions	WxDxH	mm		945x390x296	945x390x296	1050x397x301
Net/gross weight		kg		10,0/12,0	10,0/12,0	11,6/14,4
<b>Outdoor Unit</b>						
Power supply		Ph/V/Hz		1/220-240/50	1/220-240/50	1/220-240/50
Power cable		N x mm <sup>2</sup>		3 x 1,5	3 x 1,5	3 x 2,5
Interconnection cable		N x mm <sup>2</sup>		4 x 1,0	4 x 1,0	4 x 1,0
Sound power	H	dB		62	63	63
Sound pressure	H	dB(A)		55	56	57
Running current cooling/heating	Max	A		5,7/9,5	6,1/10,5	8,5/14,0
Starting current cooling/heating	Max	A		1,5/1,5	1,5/1,5	2,0/2,0
Net dimensions	WxDxH	mm		820x306x642	820x306x642	890x340x705
Packaging dimensions	WxDxH	mm		940x390x697	940x390x697	1046x460x780
Net/gross weight		kg		37,8/40,5	37,8/40,5	43,0/47,0
Compressor type				Twin rotary inverter	Twin rotary inverter	Twin rotary inverter
<b>Installation data</b>						
Refrigerant				R32	R32	R32
Liquid pipe	∅	mm (inch)		6,35 (1/4)	6,35 (1/4)	6,35 (1/4)
Gas pipe	∅	mm (inch)		9,52 (3/8)	9,52 (3/8)	12,70 (1/2)
Standard pipe length without refrigerant charge		m		7	7	7
Maximum pipe length		m		20	20	25
Maximum IU - OU elevation		m		15	15	15
Refrigerant charge in the factory		kg		1,10	1,10	1,20
Refrigerant charge in the factory		TCO <sub>2eq</sub>		0,74	0,74	0,81
Additional ref. charge over std length		g/m		20	20	20
Operating limits - COOLING (in/out)	min-max	°C		21-35°C/-15-43°C		
Operating limits - HEATING (in/out)	min-max	°C		10-27°C/-30-24°C		

**Haier**  
HVAC Solutions



**NEW**  
**PEARL**  
**NORDIC**



**Haier HVAC**  
haierhvac.eu