

Haier
HVAC Solutions



NEW

PEARL PREMIUM

High Efficiency and
Premium Features All in One.

Haierhvac.eu

New

PEARL PREMIUM

Residential Mono-Split Inverter

2,5 kW

5,0 kW

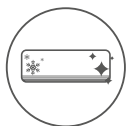
3,5 kW

7,1 kW



A+++ / A++

Features



Self Clean



UVC Pro



56° Steri-Clean



Integrated
Wi-Fi Control



Easy Installation



3-Level-Eco



Wi-Fi Easy Pair



I Feel

New features VS Pearl

- Increased energy efficiency to A+++
- Upgraded remote controller to HE2
- I Feel functionality for added comfort

Added Features

- Wi-Fi Easy pairing
- 3-Level Eco
- UVC PRO



Self-Clean

Our Self-Clean technology is the first of its kind to integrate the self-cleaning function of the evaporator and the condenser. It starts with cleaning the evaporator, then moves on to cleaning the condenser without stopping the compressor.

This innovative technology allows you to kill bacteria and keep the evaporator clean. It freezes the surface of the evaporator in contact with moisture in the air and eliminates dust in the defrosting process, thus ensuring the release of clean air.



56°C Steri-Clean

Destroys bacteria and viruses by heating the evaporator to an elevated temperature of 56°C for 30 minutes.

According to the latest research, it appears that almost no bacteria or virus can survive at 56°C for more than 30 minutes. After the heating process is completed, the evaporator is instantly cooled to achieve better Sterilisation performance.

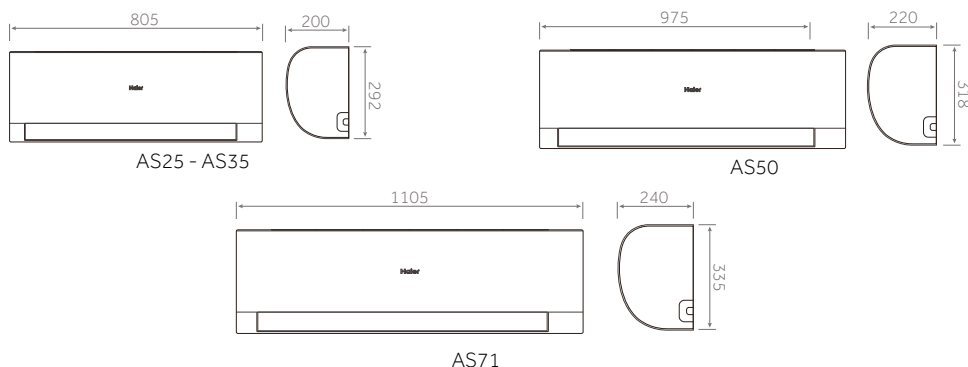


3-Level-Eco

The 3-Level-Eco is a brand new energy saving function which gives you the flexibility to set your Eco mode at 3 different levels.

It will truly help you to manage your energy consumption with savings that can reach up to 20%, 35% and 55% by limiting the compressor frequency.

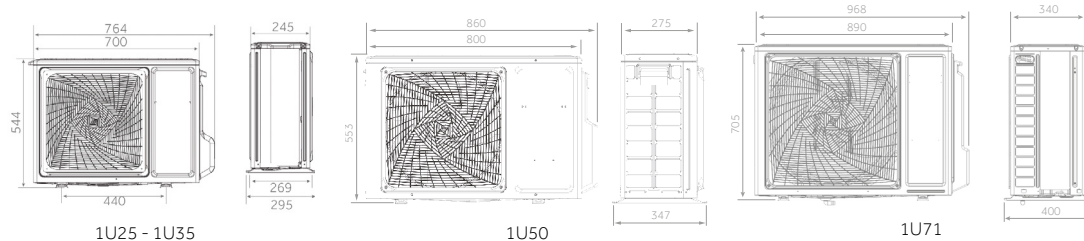
Technical Illustration



Outdoor Unit



Outdoor Illustrations



Controller



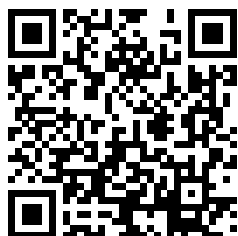
Standard YR-HE2

INDOOR UNIT	Model		AS25PBPHRA-PRE	AS35PBPHRA-PRE	AS50DPHRA-PRE	AS71PEPHRA-PRE
OUTDOOR UNIT	Model		1U25YEPFRA-PRE	1U35MEPFRA-PRE	1U50KEPFRA-PRE	1U71WEPFRA-PRE
Performance data						
Output power - COOLING	nom (min-max)	KW	2,70 (0,80-3,60)	3,60 (0,80-4,00)	5,30 (2,00-6,30)	7,10 (2,10-8,00)
Output power - HEATING	nom (min-max)	KW	3,10 (0,80-4,30)	3,90 (0,80-4,50)	5,80 (1,35-6,80)	7,40 (1,50-8,50)
Absorbed power - COOLING	nom (min-max)	KW	0,711 (0,40-1,06)	1,11 (0,40-1,31)	1,51 (0,21-2,20)	1,97 (0,32-2,90)
Absorbed power - HEATING	nom (min-max)	KW	0,835 (0,40-1,39)	1,051 (0,40-1,53)	1,45 (0,50-2,70)	1,95 (0,60-3,20)
Energy Class	EER	W/W	3,80	3,23	3,50	3,60
	COP	W/W	3,71	3,71	4,00	3,80
COOLING Pdesign	35 °C	KW	2,70	3,30	5,30	7,10
HEATING Pdesign	(-10 °C)	KW	2,40	2,80	4,60	5,10
Energy Class	SEER		8,50 (A+++)	8,50 (A+++)	8,50 (A+++)	8,50 (A+++)
	SCOP		4,60 (A+++)	4,60 (A++)	4,60 (A++)	4,60 (A++)
Annual Energy Consumption - COOLING		kWh/a	111	136	218	292
Annual Energy Consumption - HEATING		kWh/a	730	852	1400	1704
Indoor Unit						
Power supply		Ph/V/Hz	1/220-240/50	1/220-240/50	1/220-240/50	1/220-240/50
Treated air volume		m ³ /h	550	640	830	910
Dehumidification		L/h	1,2	1,4	2,3	3,0
High sound power - COOLING		dB	56	60	60	65
High sound power - HEATING		dB	56	60	60	65
Sound pressure - COOLING		dB(A)	37/32/28/18	38/33/29/18	44/40/36/31	48/42/35/27
Sound pressure - HEATING		dB(A)	37/32/28/18	38/33/29/18	44/40/36/31	48/42/35/27
Net dimensions	WxDxH	mm	805 x 200 x 292	805 x 200 x 292	975 x 220 x 318	1105 x 240 x 335
Packaging dimensions	WxDxH	mm	876 x 272 x 365	876 x 272 x 365	1050 x 397 x 301	1185 x 428 x 331
Net/gross weight		kg	8,1/10,3	8,6/10,8	11,6/14,4	15,4/18,9
Outdoor Unit						
Power supply		Ph/V/Hz	1/220-240/50	1/220-240/50	1/220-240/50	1/220-240/50
Power cable		N x mm ²	3 x 1,0	3 x 1,0	3 x 2,5	3 x 2,5
Interconnection cable		N x mm ²	4 x 1,0	4 x 1,0	4 x 1,0	4 x 1,0
Sound power		dB	62	65	65	70
Sound pressure		dB(A)	49	51	55	57
Running current cooling/heating	Max	A	4,81/6,31	4,82/6,95	10,0/12,3	13,2/14,5
Starting current cooling/heating	Max	A	1,5/1,5	1,5/1,5	2,0/2,0	2,0/2,0
Net dimensions	WxDxH	mm	700 x 245 x 544	800 x 280 x 553	820 x 306 x 642	890 x 340 x 705
Packaging dimensions	WxDxH	mm	819 x 320 x 592	902 x 375 x 614	940 x 390 x 697	1046 x 460 x 780
Net/gross weight		kg	24,6/27,0	28,5/31,4	37,8/40,5	43,0/47,0
Compressor type			Rotary Inverter	Rotary Inverter	Twin Rotary Inverter	Twin Rotary Inverter
Installation data						
Refrigerant			R32	R32	R32	R32
Liquid pipe	Ø	mm (inch)	6,35 (1/4)	6,35 (1/4)	6,35 (1/4)	6,35 (1/4)
Gas pipe	Ø	mm (inch)	9,52 (3/8)	9,52 (3/8)	12,70 (1/2)	15,88 (5/8)
Standard pipe length without refrigerant charge		m	5	5	7	7
Maximum pipe length		m	20	20	25	25
Maximum IU - OU elevation		m	10	10	15	15
Refrigerant charge in the factory		kg	0,58	0,65	1,10	1,35
Refrigerant charge in the factory		TCO ₂ eq	0,39	0,44	0,74	0,91
Additional ref. charge over std length		g/m	20	20	20	20
Operating limits - COOLING (in/out)	min-max	°C	21-35°C/-20-43°C			
Operating limits - HEATING (in/out)	min-max	°C	10-27°C/-20-24°C			

Haier
HVAC Solutions

PEARL PREMIUM

Residential Mono-Split Inverter



Haier HVAC
haierhvac.eu